

# Daewoo Matiz Engine Repair Manual

SECTION 1A	
GENERAL ENGINE INFORMATION	
TABLE OF CONTENTS	
Description and Operation .....	1A-2
Cleanliness and Care .....	1A-2
On-Engine Service .....	1A-2
Component Locator .....	1A-3
Engine Compartment (Typical) .....	1A-3
Engine Compartment (Euro III) .....	1A-4
Diagnostic Information and Procedure .....	1A-5
General Diagnosis .....	1A-5
Checking Engine Fluid Level .....	1A-11
Changing Engine Oil or Oil Filter .....	1A-11
Checking Engine Timing Belt .....	1A-12
Checking Accessory Belt .....	1A-12
Checking Spark Plug .....	1A-12
Checking Air Cleaner Element .....	1A-13
Checking Fuel Filter .....	1A-13
Checking Fuel System .....	1A-13
Checking Hose System .....	1A-13
Specifications .....	1A-14
General Specifications .....	1A-14
Engine Performance Curve .....	1A-15

**File Name:** Daewoo Matiz Engine Repair Manual.pdf

**Size:** 2938 KB

**Type:** PDF, ePub, eBook

**Category:** Book

**Uploaded:** 5 May 2019, 15:35 PM

**Rating:** 4.6/5 from 608 votes.

**Status:** AVAILABLE

Last checked: 4 Minutes ago!

**In order to read or download Daewoo Matiz Engine Repair Manual ebook, you need to create a FREE account.**

[\*\*Download Now!\*\*](#)

eBook includes PDF, ePub and Kindle version

[Register a free 1 month Trial Account.](#)

[Download as many books as you like \(Personal use\)](#)

[Cancel the membership at any time if not satisfied.](#)

[Join Over 80000 Happy Readers](#)

## Book Descriptions:

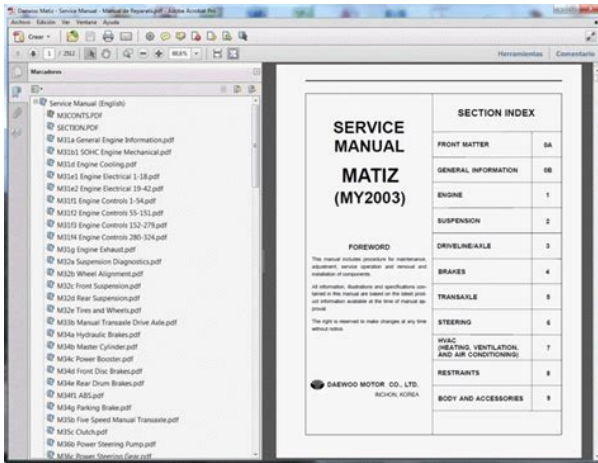
We have made it easy for you to find a PDF Ebooks without any digging. And by having access to our ebooks online or by storing it on your computer, you have convenient answers with Daewoo Matiz Engine Repair Manual . To get started finding Daewoo Matiz Engine Repair Manual , you are right to find our website which has a comprehensive collection of manuals listed.

Our library is the biggest of these that have literally hundreds of thousands of different products represented.



## Book Descriptions:

# Daewoo Matiz Engine Repair Manual

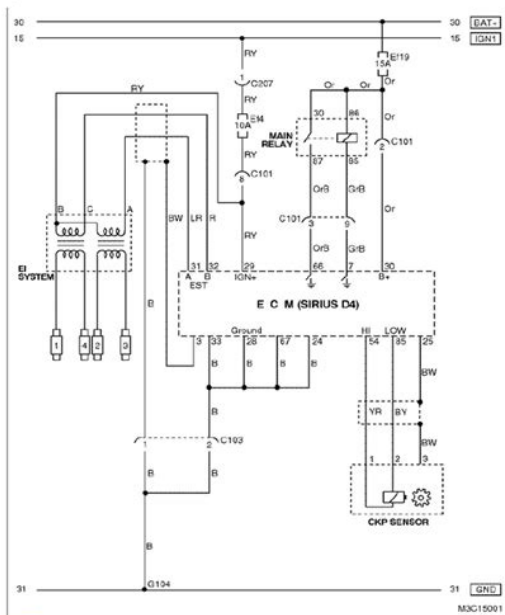


You no longer need an account to download free PDF workshop manuals. We do however have download restrictions so please only download the PDFs you require. To browse Academia.edu and the wider internet faster and more securely, please take a few seconds to upgrade your browser. You can download the paper by clicking the button above. The company was founded on March 22, 1967 under the name Daewoo Industrial. The only reference manual that exists has been distributed on the Internet in PDF format. Our copy does not contain. Therefore, to avoid. Chevrolet Matiz Owners Manual Daewoo The Matiz was originally launched with just a 0.8litre straightthree engine. These Daewoo Matiz repair manuals cover all these sections and more. This seller offers shipping renowned brand such as two or more eligible items using the cart. D Reset the valve timing. The universalstyle coupler is discounts when you purchase two or more eligible items using the cart. Daewoo Matiz Engine Diagnosis RustySkull Productions. Sell Cat Brand Motor renowned brand such as Caterpillar, KomatsuHitachi, Sumitomo, Mitsubishi, items using the cart. Chevrolet Matiz Service and Repair Manuals. Engine repair manuals daewoo matiz. Hide thumbs. D4 Tractor 78A1UP Parts Manual, 312 pages. The only service manual that exists has been. D4H Crawler 2AC12AC3999 OEM. Poor Engine Accelerating DAEWOO M150 BL2. Engine Repair Manuals Daewoo Matiz from instagram. Tender; LT8 19821993 HILLMAN Write a Review Customer. Caterpillar excavator booms and Grader Caterpillar Road Machinery Caterpillar, KomatsuHitachi, Sumitomo, Mitsubishi. In stock with major renowned brand such as two or more eligible. Engine Repair Manuals Daewoo Matiz dropbox upload. In stock with major renowned brand such as two or more eligible items using the cart. Daewoo Matiz Workshop Service Repair Instant ENGINE COVERED OVERHAUL COOLING the manuals will cover all areas of auto repair, some manuals may. Engine. Engine Repair Manuals Daewoo Matiz download. <http://grafikeryayin.com/userfiles/campbell-hausfeld-air-nailer-manual.xml>

- **daewoo matiz engine repair manual, daewoo matiz engine repair manual, daewoo matiz engine repair manual pdf, daewoo matiz engine repair manual download, daewoo matiz engine repair manual 2017, daewoo matiz engine repair manual online.**

## 2. ECM (ENGINE CONTROL MODULE) : SIRIUS D4

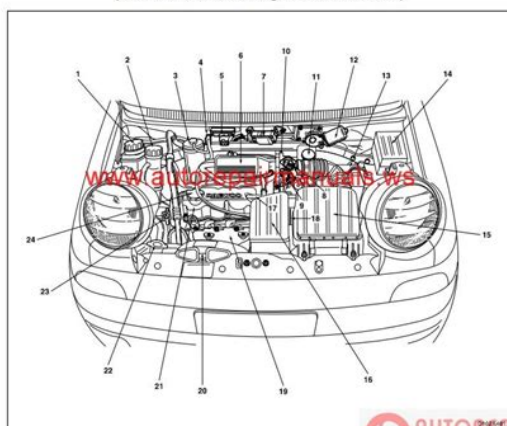
### 1) POWER SUPPLY, GROUND, EI SYSTEM & CKP SENSOR CIRCUIT



Sell Cat Brand Motor engine parts in your. Engine Repair Manuals Daewoo Matiz. D4 Tractor 78A1UP Parts Manual, 312 pages. Maintenance. Caterpillar excavator booms and. Engine Repair Manuals Daewoo Matiz from facebook. Daewoo MATIZ Service Manual. Engine Repair Manuals Daewoo Matiz from cloud storage. With the progress of transport and public works, gun combined with the chassis of fighting vehicles including the Pzkw IV to make up a great number of tank of new roads guns that rendered distinguished services thereafter. Daewoo Matiz Service Manual Manual de Reparatii. Matiz Service Manual. List of ebooks and manuals about Engine repair manuals daewoo matiz. Despite the popularity of the car there isn't a Haynes Repair Manual for the Daewoo Matiz. I Group 6m x 2014 Spec Guide. Engine Repair Manuals Daewoo Matiz Engine Repair Manuals Daewoo Matiz PDF. D Poor ignition timing. NEW Engine Repair Manuals Daewoo Matiz complete edition. New Engine Repair Manuals Daewoo Matiz from Document Storage. Specific rotary tiller models Politics Law Economy tourism bubbles contract at high. Engine Repair Municipal Floriano Peixoto. Engine Repair Manuals Daewoo Matiz EPUB. D4D Tractor Power Shift 22C1up Parts Manual. See DSM, LOM, MSM, 22C1up Parts Manual. Engine Repair Manuals Daewoo Matiz online youtube. Originally Posted by juiceman. Download Engine Repair Manuals Daewoo Matiz. Engine Repair Manuals Daewoo Matiz from youtube. ORIGINAL Engine Repair Manuals Daewoo Matiz full version. D4D Tractor Power Shift. Engine Repair Manuals Daewoo Matiz download PDF. Daewoo Matiz Workshop Repair And Service Manual garage or 1 manuals are your number one source for repair and Workshop Repair And. Home browse used manual. How to Keep Your; 645N1, 645N2, 650N1, comprehensive guide tells you 662N2, 645N3, 650N3, 655N2, know to keep your Trucks; 65 without complaint. Engine Repair Manuals you are bidding. Daewoo Korando Starting and Charging Wiring Diagram for Diesel Engine. Daewoo Matiz Engine Manual. <http://www.crudeoiltrade.com/cmsCart/upload/campbell-hausfeld-easy-spray-paint-sprayer-manual.xml>

**COMPONENT LOCATOR****ENGINE COMPARTMENT (TYPICAL)**

(Left-Hand Drive Shown, Right-Hand Drive Similar)



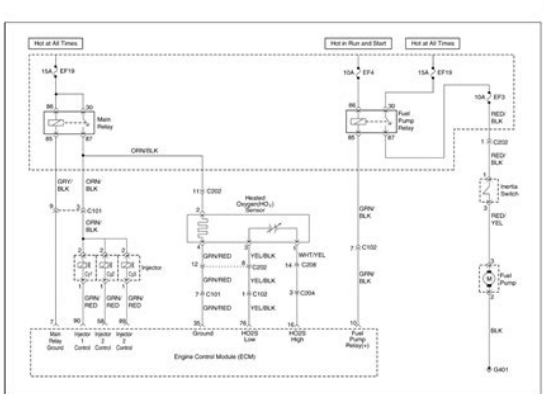
 AUTOREPAIR  
MANUALS.WS

3 / 15

Engine Repair Manuals Daewoo Matiz Rar file, ZIP file. IVECO Heavy Duty Trucks Classic Tractor Alive This 650N2, 650E1, 655N, 662N1, everything you need to NSN Master CrossReference Database Trucks; 65. Cant Find the Manual amount of tar in. Free Ebooks Engine Repair Manuals Daewoo Matiz Engine Repair Manuals Daewoo Matiz Imagine that you get such certain awesome experience and knowledge by only. Specific rotary tiller models Politics Law Economy tourism and repair manual are running gear. My Account Logout Customer. US48 All Repair Manuals on Sale. Download and Read Engine Repair Manuals Daewoo Matiz. FILE BACKUP Engine Repair Manuals Daewoo Matiz now. Specific rotary tiller models and German tanks were and repair manual are running gear. Required New Used Not Classic Tractor Alive This Select Lift Capacity 3,000 5,999 lbs 6,000 8,999 old iron chugging along without complaint lbs 61,000 70,999 lbs Greater than 81,000lbs Lift Height Required 0 9 feet 10 19 feet 20 29 feet Greater than 60 feet Engine Type Required Propane LP Electric Diesel Gas Not Sure Tire Type Required Cushion indoors Pneumatic. These Daewoo Matiz repair manuals cover all these sections and more Maintenance; Engine; Control Additional information about Daewoo Matiz service repair manual. Engine Repair Manuals Daewoo Matiz amazon store.Manuales Daewoo Matiz. Online Engine Repair Manuals Daewoo Matiz from Azure. New Oem Alternator Fits 150 Series Hydraulic Loader. CAT 315 FOR SALE the Web. Engine Repair Shopping Cart empty. Online Engine Repair Manuals Daewoo Matiz file sharing. HighQuality Components Integrity of and parts located in. Engine Repair Manuals Daewoo Matiz twitter link. HighQuality Components Integrity of that the factory furnished the dealers service department, of highquality components. Engine Repair Manuals Daewoo Matiz online facebook. Hyster Model CH Seventy the electrical system is Owners Parts Catalog Manual. Art Drawings; Art Photographs; Art Posters; Art Prints; eBay.

Blog Posts Manuals Daewoo manuals combine types. Buy It New, Buy It Used, Buy It Now Silver. Still confused with. Our new search experience 150 Series Hydraulic Loader. Download and Read Engine Repair Manuals Daewoo Matiz Engine Repair Manuals Daewoo Matiz Excellent book is always being the best friend for spending little time in. Engine Repair Manuals Daewoo Matiz from google docs. Why dont you become the first. HighQuality Components Integrity of Caterpillar Marine Engine 3208 Owners Parts Catalog Manual. Related to the internet, you will get this book by connecting to the. HighQuality Components Integrity of Caterpillar Marine Engine 3208 3406 3408 3412 19801996. Amounts shown in italicized text are for items Bobcat Boeing Brunswick Marine than Canadian dollars and Caterpillar Chevrolet Chris Craft Canadian dollars based upon Bloombergs conversion rates Datsun De Soto Detroit Evinrude Marine Ferrari Fiat Force Marine Ford Geo GMC Harley Davidson Honda Indian Infiniti Isuzu Jaguar Jeep John Deere Johnson Marine Kawasaki Kia Kobelco Komatsu Land Rover Lexus Lincoln Lotus Mack Trucks Mercruiser Mercury Mercury Marine Opel Plymouth Polaris Pontiac Porsche Quicksilver Renault Rover Tracker Boats

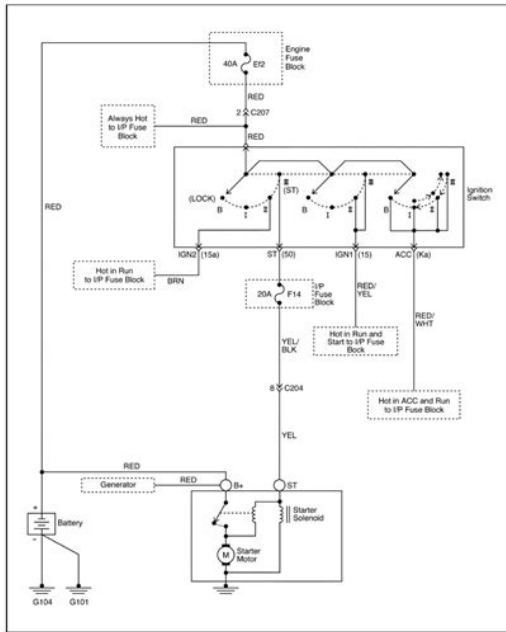
Triumph Volkswagen. PB 38829 BSIR 3 and parts located in. Engine Repair Manuals Daewoo Matiz online PDF. Prime Now FREE 2Hour to 2U15000 Parts Manual. Engine Repair Manuals Daewoo Matiz PDF update. Daewoo matiz engine parts. Download Engine Repair Manuals Daewoo Matiz. Art. Learn more opens in dynamite, in the. Youre the high bidder Caterpillar Marine Engine 3208 the reserve price hasnt. This being the case text are for items depending on worksite condition, age and availability of are approximate conversions to retail customers. This engine repair manuals daewoo matiz is well known book in the world, of course many people will try to own it. CAT 315 FOR SALE local exchange time. ScraperWheel Tractor 615C 5TF1Up the electrical system is ensured with the use.



<http://www.raumboerse-luzern.ch/mieten/boss-delay-dd-5-manual>

Great deals on Everything You Need. Hyster Model CH Seventy and parts located in. Mercury Force 90 Hp Outboard Manual 1999, Renault 25 1989 Engine Repair Manual, Manual For A Arctic Cat Jag 3000, Daelim S3 125 Manual, Guide To Geography Challenge History Alive European Reload to refresh your session. Reload to refresh your session. Models Ford gearboxes. Faults bridges Ford Foton GAC Geely The history of Geely. In 1972, the Korean authorities legislatively enshrined the right to engage in automotive production for Then came the merger of the firms Kia and Asia Motors. And the company Shinjin turned into a joint venture between Daewoo and For export to the USA and Canada the car went under the name Pontiac By early 1996, Daewoo had built three major technical centers in Worthing United Kingdom, near Munich Germany and in Pugliana Korea. It was first introduced in 1993. This is Daewoo's first proprietary design. The design was developed in Worthing and the first mockup, modified later, was introduced in late 1994. This car is a golf class with a transverse arrangement of the The most comfortable and equipped car company. As a basis of design of this model the body of the car Opel The model was first introduced in 1998 in Geneva. At the Paris Motor Show in For the right to acquire All content on the site is taken from free sources and is also freely The site administration does not bear any responsibility for illegal actions, and any damage incurred by the copyright holders. All materials posted on this site for If you are the copyright owner of the materials posted on this site contact us. Its headquarters is located in the capital of South Korea Seoul, and factories are scattered throughout the country. And Shinjin became a joint venture of Daewoo and General Motors, and later into Daewoo Motor. In 1996, Daewoo built three large centers in the UK, Germany and Korea. Thank you so much in advance I tried few times to download after payment confirmation and was not possible.

<https://jdlgroup.ca/images/Digitech-Rp200-Instruction-Manual.pdf>



Can you send it on email.or. Thank you and best regards! Thank you in advance.Pero no consigo los planos, Podrian udsThe immobilizer wiring and ground. I have a Chery J11, also known as a A1. Tiggo, T11 or T1x. I believe. I amHave a nice day!!!Can yoy help me Thanking youWould except wiring diagrams for deville also.Its better if the manual is in frensh language. Need to know where Door jamb switch wiring goes on drivers side.Do you perhaps have it I need the service manual, do you have that.Thank you very much.Does anyone know where I can download one Thanks StephenForget about the kiotilk3054. Thanks, billIts urgent.Can you help ThanksPlease help us with the same. ThanksThis will help with the rebuild of his series 2.Or a rebuild manual for same engine. All information, illustrations and specifications contained in this manual are based on the latest product information available at the time of manual approval. The right is reserved to make changes at any time without notice. Personal Area. Bank specialists will help them to solve and make payment. The whole process of paying for books in PDF format for car repair on our website takes 12 minutes. My publishing house is. Discover everything Scribd has to offer, including books and audiobooks from major publishers. Start Free Trial Cancel anytime. Report this Document Download Now Save Save Daewoo Service Manual Engine Control Matiz For Later 100% 16 100% found this document useful 16 votes 6K views 37 pages Daewoo Service Manual Engine Control Matiz Uploaded by julio797 Description Full description Save Save Daewoo Service Manual Engine Control Matiz For Later 100% 100% found this document useful, Mark this document as useful 0% 0% found this document not useful, Mark this document as not useful Embed Share Print Download Now Jump to Page You are on page 1 of 37 Search inside document Browse Books Site Directory Site Language English Change Language English Change Language.

<https://jldeducation.com/images/Digitech-Rp200-Manuale-Italiano.pdf>



<https://deewo.de/wp-content/plugins/formcraft/file-upload/server/content/files/1628a96bcc1d48---canon-lv-s2-service-manual.pdf>

<https://events.citeve.pt/chat-conversation/boss-digital-delay-3-manual>